

ROLECEV

WALLPOD

Intelligent EV charging unit



Manufactured
in the UK

WALLPOD

Intelligent EV charging unit

The WALLPOD is an affordable and reliable EV charging unit, which is ideal for both domestic and commercial locations, providing up to 7.4kW fast charging.

This future-proof OCPP compliant unit can offer a simple plug & charge or pay-to-charge solution via the EV driver's smartphone and/or RFID card/fob through any chosen OCPP back-office management system.

Feature-rich, this EV charger supports dynamic load balancing and is equipped with PME fault detection, so there is no requirement for an earth rod, reducing installation costs.

Domestic users can also charge their vehicle as sustainably as possible using their solar PV or other home renewables for a zero-cost, zero-carbon charge.*

*App dependent feature



FREE app & support

Domestic customers benefit from 3 years Monta app connectivity and support*

*Data fees may apply if connecting via 4G



Product features

- Suitable for both domestic and commercial installations
- Plug & charge, mobile app or RFID controlled charging
- Universal charging socket or Type 2 tethered lead
- Up to 7.4kW charging output
- PME fault detection (no earth rod required)
- Dynamic load balancing (CT clamp & cable included)
- Solar PV, battery storage or wind turbine integration*
- OCPP 1.6 compliant (can integrate with any back-office)
- Over-the-air firmware / software updates
- Built-in overcurrent & 6mA DC leakage protection
- Dual tamper and breach security notifications
- Cable lock security feature (can be permanently locked by user)
- Integrated RFID reader
- MID-approved energy metering
- 4G / Wi-Fi / Ethernet connectivity
- IK10 impact resistant design
- Wall or post mounted
- OZEV grant fundable
- Designed & manufactured in the UK

Rolec EV's chargepoint management platform:



Other preferred app & back-office partners:



*App dependent feature



OCPP 1.6 compliant

Ability to integrate with any OCPP compliant back-office management system and app.



Easy to operate

Three quick and easy ways to operate: mobile app, RFID cards and fobs or plug & charge.



Office for Zero Emission Vehicles

Eligible for grant funding

This range is approved for the OZEV EV Chargepoint Grant & Workplace Charging Scheme (WCS).



4G / Wi-Fi / Ethernet enabled

Complete with secure 4G, Wi-Fi and Ethernet connectivity, ensuring chargers are always online 24/7.



Branding & colour options available

Rolec offer a bespoke chargepoint branding service; from logos & brand colours, to vinyl wraps.



No earth rod required

Equipped with built-in TruePEN PME fault detection, saving on installation time and costs.

The details

UP TO 7.4KW

This single phase charger provides up to 7.4kW fast charging.

WALLPOD is compatible with all EVs & PHEVs, charging at the fastest speed possible, ensuring vehicles are ready to go in no time.

CHARGE FOR FREE!

Sync your solar PV, battery storage or wind turbine setup to benefit from sustainable, zero-cost, zero-carbon charging.

Smart home integration is also supported, so you can control your charger using Alexa or Google assistant.*



ACCURATE BILLING

Built-in MID-approved energy metering ensures accurate consumption reporting, which is essential for businesses and residential car parks, wishing to bill for their usage. Use our back-office management platform to generate revenue by setting your own tariffs.

SAFE AND SECURE

Rest assured, Rolec's entire EV chargepoint range is fully UK Smart Charge Point Regulation compliant.

Over-the-air updates allow the chargers to receive the very latest features, ensuring a safe and future-proof product 24/7.

3 YEAR WARRANTY

Rolec EV chargepoints are designed, developed and manufactured in the UK and come with a 3 year warranty included as standard, for added peace of mind on your investment.

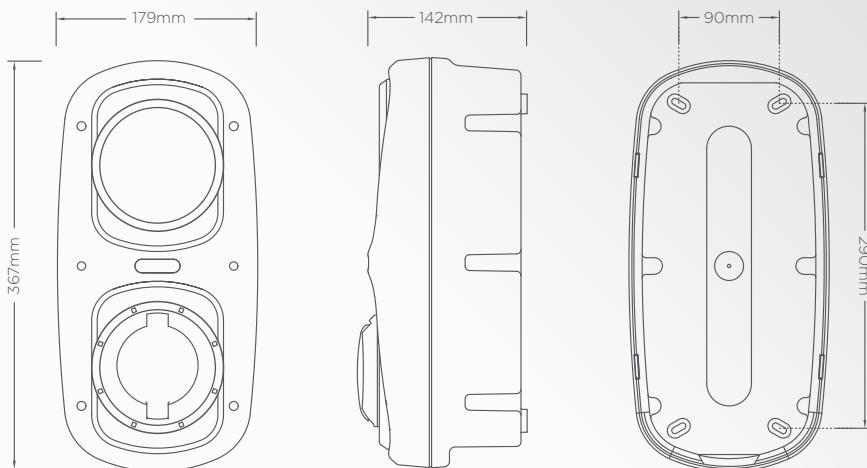
*App dependent feature

Specifications

Product Overview:

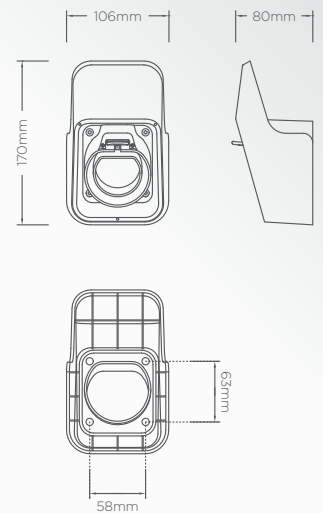
| | Connection Type | Charging Output | Input Supply | Unit Colour | Product Code |
|--------------------|---|-------------------|---|-------------|--------------|
| Single Phase Units | 1x Type 2 (IEC 62196) charging socket | Up to 7.4kW (32A) | 1x 32A Single Phase 230V AC (±10 %) 50/60Hz | ● Grey | ROLEC4020G |
| | | | | ○ White | ROLEC4020W |
| | | | | ● Black | ROLEC4020B |
| | 1x Type 2 (IEC 62196) 5m tethered lead | Up to 7.4kW (32A) | 1x 32A Single Phase 230V AC (±10 %) 50/60Hz | ● Grey | ROLEC4140G |
| | | | | ○ White | ROLEC4140W |
| | | | | ● Black | ROLEC4140B |
| | 1x Type 2 (IEC 62196) 10m tethered lead | Up to 7.4kW (32A) | 1x 32A Single Phase 230V AC (±10 %) 50/60Hz | ● Grey | ROLEC4145G |
| | | | | ○ White | ROLEC4145W |
| | | | | ● Black | ROLEC4145B |

WallPod unit:



Type 2 charge gun holster:

Included with tethered units



Specifications

Technical Data:

| | |
|---|---|
| User Interface | <ul style="list-style-type: none"> • Mobile app • RFID reader (MIFARE ISO/IEC 14443 A) • Plug & charge • RGB LED status indicator halo - configurable |
| Charge Protocol | Mode 3 (IEC 61851-1) |
| Protection | <ul style="list-style-type: none"> • AC overload & fault current protection - A dedicated 30mA Type A RCBO or equivalent protection is required at source (see page 7 for options) • Overcurrent protection • DC fault protection - 6mA • Lightning surge, over temperature protection • TruePEN PME fault detection - No earth electrode/rod required • Supports automatic dynamic load balancing (may require additional hardware) • Supports static load management (software configurable) |
| Cable Terminals | <ul style="list-style-type: none"> • Single Phase - 3x 50mm 1P + N + E |
| Communications | <ul style="list-style-type: none"> • 4G LTE Cat-1 (built-in nano SIM, subscription required) <ul style="list-style-type: none"> • LTE FDD: B1/B3/B5/B7/B8/B20/B28 • GSM: B2/B3/B5/B8 • Wi-Fi 802.11 b/g/n 2.4 GHz (2412-2472 MHz / 2422-2462 MHz) • NFC 13.56 MHz • RJ45 Ethernet connection • Bluetooth Low Energy (BLE 4.1) 2402-2480 MHz (for installer configuration purposes) • OCPP 1.6J • Cyber security - Data encryption level TLS 1.2 |
| Energy Metering | Integrated Class 1 MID compliant metering |
| Standby Power Consumption | < 7.5W |
| Dimensions | 179mm x 367mm x 142mm (W x H x D) |
| Weight | < 3kg to < 7kg(model dependant) |
| Environmental | <ul style="list-style-type: none"> • Ingress protection - Enclosure IP65, Socket IP54 • Impact protection - IK10 • Security - Dual tamper and breach notifications • Operating temperature - -30°C to +50°C • Operating humidity - 5% to 95% |
| Materials | High impact resistant Polycarbonate |
| Unit Colour |  Black  Grey  White  Branding available upon request |
| Certifications & Compliances | <ul style="list-style-type: none"> • EV Charging Compliance - EN 61851-1:2019, EN 61851-22:2002 • Smart Charge Points - (SI 2021/1467) • Wiring Regulations - BS 7671:2018+A2:2022 • EMC Compliance - EN 61000-6-3:2007+A1:2011, EN 61000-6-2:2005, 2014/30 /EU, SI 2016/1091 • Safety Compliance (LVD) - EN 62368-1:2014, 2014/35/EU, SI 2016/1101 • Communications / RED - EN 62311:2008, 2014/53/EU, SI 2017/1206, EN 300 330 V2.1.1 (2017-02), EN 301 908-1 V15.1.1 (2021-09), EN 301 908-13 V13.2.1 (2022-02), EN 301 511 V12.5.1 (2017-03), EN 300 328 V2.2.2 (2019-07), EN 300 440 V2.2.1 (2018-07) • Environmental Protection - BS EN 60529:1992+A2:2013 • Impact Rating - BS EN 62262:2002+A1:2021 • Metering - 2014/32/EU, SI 2016/1153 • RoHS - 2011/65/EU, SI 2012/3032 • REACH - 1907/2006, REACH etc. (Amendment) Regulations 2021 • Certification Markings - CE & UKCA |
| Warranty | 3 years |

Options & accessories

| Product Code | Item Description |
|--------------|---|
| RFID0010 | RFID card |
| RFID0020 | RFID fob |
| EVFP0010 | WallPod galvanised steel mounting post - 1350mm |
| EVFP0030 | Zura / WallPod mounting post Fits up to 2 chargers |
| EVFP0040 | WallPod plate for mounting post |
| EVCB0020 | Root mount protection barrier - 48mm |
| EVCB0040 | Surface mount protection barrier - 48mm |
| EVPS0010 | EV parking sign - A4 landscape (Other sizes are available) |
| EVPP0100 | 5m 32A Type 2 to Type 2 charging cable |
| EVPP0107 | 10m 32A Type 2 to Type 2 charging cable (Other cables are available, including Type 1 options) |
| EVIN0010 | 20A Single phase EV consumer unit with Type A RCBO |
| EVIN0015 | 40A Single phase EV consumer unit with Type A RCBO |
| EVRS0030 | Remote wall mount for Type 2 plug holster |
| ACSR0125 | 100A up to 35mm ² screened CT clamp with 10m cable |



RFID0010
RFID0020



EVFP0030



EVPS0010



EVIN0010



ACSR0125



Branding & colour options available

Rolec offer a bespoke chargepoint branding service; from logos & brand colours, to vinyl wraps. This can be arranged at time of order. Contact Rolec for details.



EVPP0100

Brand names, logos and trademarks used herein remain the property of their respective owners. This listing of any firm or their logos is not intended to imply any endorsement or direct affiliation with Rolec Services Ltd. and is purely to demonstrate branding opportunities.

BUSINESSES

WORKPLACE | COMMERCIAL | DEVELOPMENT | RESIDENTIAL | DESTINATION | FLEET



VendElectric

- Full control of your own chargepoint network
- A future-proof and scalable solution
- Mapped network
- Customisable tariffs
- Generate revenue
- Smart reporting and analytical feedback
- Fleet management solutions
- Automatic fault notifications
- Over-the-air updates
- Optional electrical load management:

(Ideal for sites where the collective load may be greater than the electrical supply)



Other preferred back-office partners:

MONTA

Fuuse

ChargePlace Scotland
electric vehicle charging

Managing chargepoints

Rolec EV's range of AC fast and DC rapid chargepoints are suitable for all types of businesses. OCPP integration allows these units to be managed by any compliant back-office, including Rolec EV's own management platform, VENDELECTRIC.

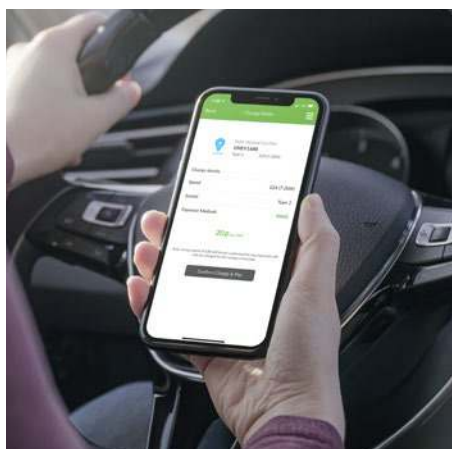
Operating chargepoints

There are three quick and easy ways for drivers to operate the chargepoints: mobile app, RFID cards and fobs or plug & charge.

VendElectric app

Manage your charging activity whilst benefiting from an variety of features.

- Easily find and navigate to a chosen destination using the chargepoint map
- Sort and save favourite locations
- View current & past charge sessions
- Review statistics and analytical data
- Exportable data (ideal for submitting benefit-in-kind claims)
- Live charge session notifications
- Virtual wallet for quick activation
- Multiple EVs can be added and used on a single registered account



DOWNLOAD THE APP



RFID card/fob

Ideal for workplace employees who frequently use the same charging points, whether for their own or their company vehicle. Hosts can assign an RFID to either the driver or a vehicle (VRM).



▶ For more about **VendElectric**, including data management pricing & plans, visit www.rolecserv.com/chargepoint-management-system

HOMES

HOUSES | FLATS | RENTED ACCOMMODATION | PRIVATE GARAGES & PARKING SPACES



Operating your chargepoint

Rolec EV's range of chargepoints for the home have been designed to provide an easy charging experience for EV drivers, allowing them to recharge their vehicle using their smartphone or handy RFID card/fob.

This range of chargepoints are OCPP compliant, enabling them to integrate with any compatible app the user desires.

Other preferred mobile app partners:

ev. energy

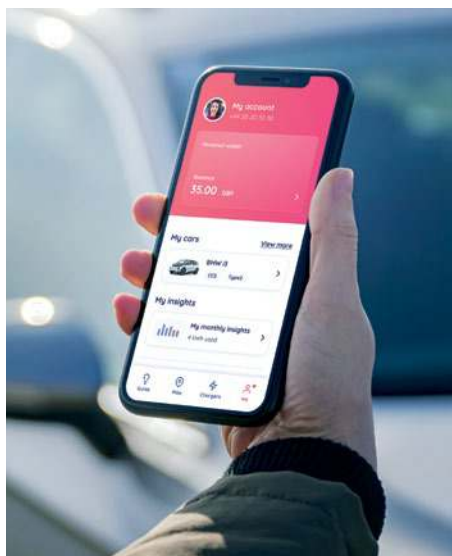


Electric Miles

Monta app

Flexible charging at home, at work, or on the go. Smart charging just got smarter.

- Choose your ready time and choose to prioritise lower costs, lower CO₂ or only using renewable energy
- Schedule charges so your car is ready when you are
- Integrates with over 350 car models, check charges without leaving the app
- Share your chargepoint with others and set how much they should pay
- Access to over 200,000 public chargepoints across Europe
- Secure payment methods
- Automatic software updates & bug fixes
- Online chat or support line for help when you need it most



DOWNLOAD THE APP



RFID card/fob

Great for EV drivers who want to quickly activate their home chargepoint. RFID cards or key fobs are easily accessible and add for a much simpler charging experience, which can also be used alongside the mobile app.



▶ For more details about the monta app, go to www.monta.com/uk/home-charging



THIS DOCUMENT CONTAINS INFORMATION THAT IS SUBJECT TO CHANGE WITHOUT NOTICE.

The latest version of this publication can be downloaded at <https://www.rolecserv.com/downloads-ev-charging>

Illustrations of the product and user interface are for marketing purposes only.

Brand names, logos and trademarks used herein remain the property of their respective owners. This listing of any firm or their logos is not intended to imply any endorsement or direct affiliation with Rolec Services Ltd. and is purely to demonstrate branding opportunities.

© 2023 by Rolec Services. All rights reserved.

EVWD-V02-R5 WallPod Data Sheet



Manufactured
in the UK

ROLECEV

t: 01205 724754

e: enquiries@rolecserv.co.uk

www.rolecserv.com

